

2023

NEON CATALOG

CUSTOM LED NEON SIGNS

www.erybaysign.com

PROFESSIONAL ACRYLIC NEON SIGNS MANUFACTURER

erybay®

THANK YOU FOR CHOOSING US

CONTENT

- 02 OUR STORY
- 03 WAY ERYBAY
- 04 SOLUTIONS
- 05 OUR ADVANTAGE
- 06 SEE HOW WE WORK
- 07 WORKS DISPLAY
- 08 180° DOME FRONT-LIT
- 09 180° FLAT ROOF FRONT-LIT
- 10 320° DOME FRONT-LIT
- 11 180° DOME BACK-LIT
- 12 CHANNEL LETTER+BACK-LIT ACRYLIC NEON
- 13 CHANNEL LETTER+FRONT-LIT ACRYLIC NEON





OUR STORY

ErybaySign is a sign manufacturer that provides marking solutions for enterprises, governments, shopping malls, shopping malls, hotels, hospitals and other industries.

We specialize in designing and manufacturing (custom and prefabricated) metal letters (LED or non-LED), acrylic LED letters, light boxes, modern neon lights/artworks, acrylic products/artworks.

We pay attention to detail and quality in each product, whether the order quantity is 1% or more for bulk goods. Based on our many years of experience, we have a professional team to handle various complex projects. Whether drawing deepening, installation process, sample modification, we always ensure that we meet customer requirements.

WHY ERYBAY ?

GET YOUR FREE DESIGN WITHIN 24 HOURS

Deepen your design with us, and have the mockup design available just within 24.

DURABILITY

Erybay's products feature LED lighting and have a service life of more than 50, 000 hours in maximum performance mode. That's 10 hours a day for 14 years. We do offer outdoor waterproof options as well.

ECO-FRIENDLY

We advocate environmental protection and energy conservation using recyclable acrylic materials and energy-efficient stable LED light sources. We care for the planet when we make the products you love.

ROHS, UL CERTIFIED FOR COMMERCIAL PROJECTS

Erybay products meet the safety and quality standards required by the industry. Our entire product line is certified and RoHS, UL certified for commercial projects.

STRONG TEAM

More than 4 R&D engineers and more than 15 professional quality management personnel. More than 60 operators on 4 production lines support fast delivery.

12 MONTHS WARRANTY

12 months warranty All products come with a 12-month manufacturer's warranty up to 5 years.

COMPLETE MATERIAL CERTIFICATION



WE OFFER YOU BEST SIGN SOLUTIONS



DIRECT FACTORY

Erybay Signs is a production facility and we prioritize your signage needs by responding quickly and efficiently. You can rest assured that when you contact us, you will speak directly to the management or the owner. This means that all your doubts and concerns will be resolved quickly. This can also help you save time and money costs because you don't have to deal with middlemen.

SIGNAGE MAKING SPECIALIST

Erybay Signs has 13 years of experience. When you come to us, you are looking for the preeminent expert in the field of signage. Our in-house team in Anhui Province can customize your signage from start to finish. From sitting down to deepen your design to any detail of your installation in the future, our highly trained experts will ensure your complete satisfaction. You don't even have to pay any unnecessary add-ons for such tasks that other manufacturers take on.

CUSTOMIZED TO PERFECTION

We use the best in terms of skills. Our designers, assemblers and craftsmen are all trained and licensed to ensure your vision is captured. Our designers use AI and CNC design software to ensure high-quality results. Even our welders are certified welding mechanic operators who ensure safety and accuracy in the welding process.

OUR ADVANTAGE



WIDE RANGE OF SERVICES

There are no signs that are too big or too small for Erybay Signs; We have everything you need for any logo you need. We've created logos from 2cm to 2000cm! We provide signage design, service and production services.

Some hard facts about our company

13

Years of professional
industry experience

04

R&D engineers

15

IQC and QC team

60

Production engineers

4000

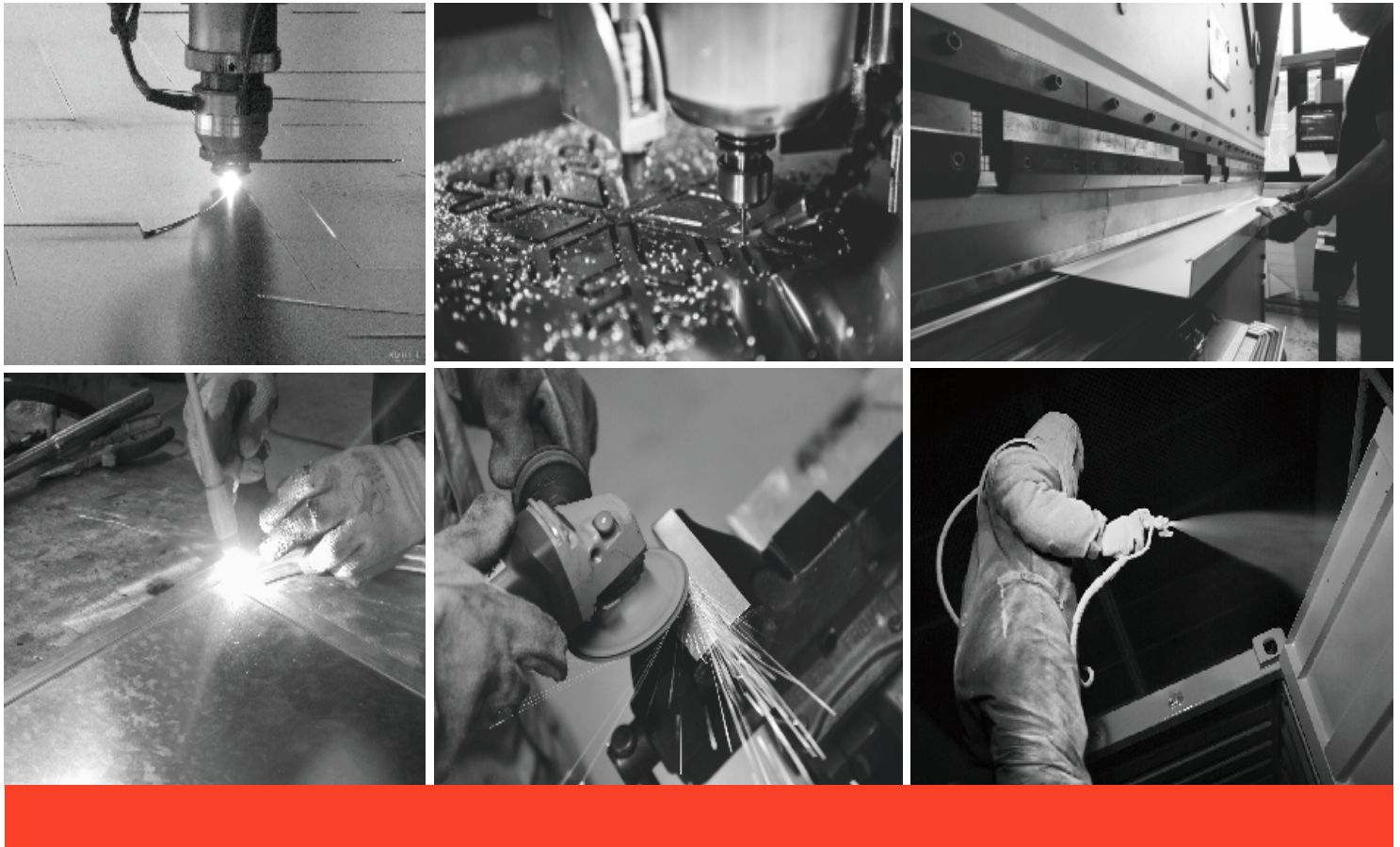
Square factory

24

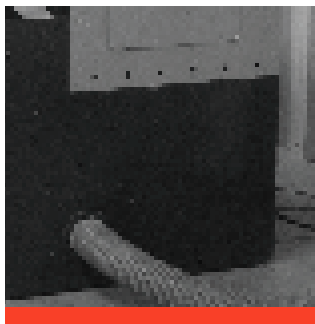
Hours customer service

SEE HOW WE WORK

SEE HOW THE PERFECT QUALITY
PRODUCT WAS BORN



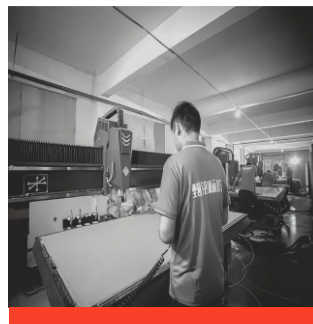
WE HAVE ADVANCED MACHINES THAT ARE EFFICIENT



IACRYLIC POLISHING



AUTOMATIC BENDING



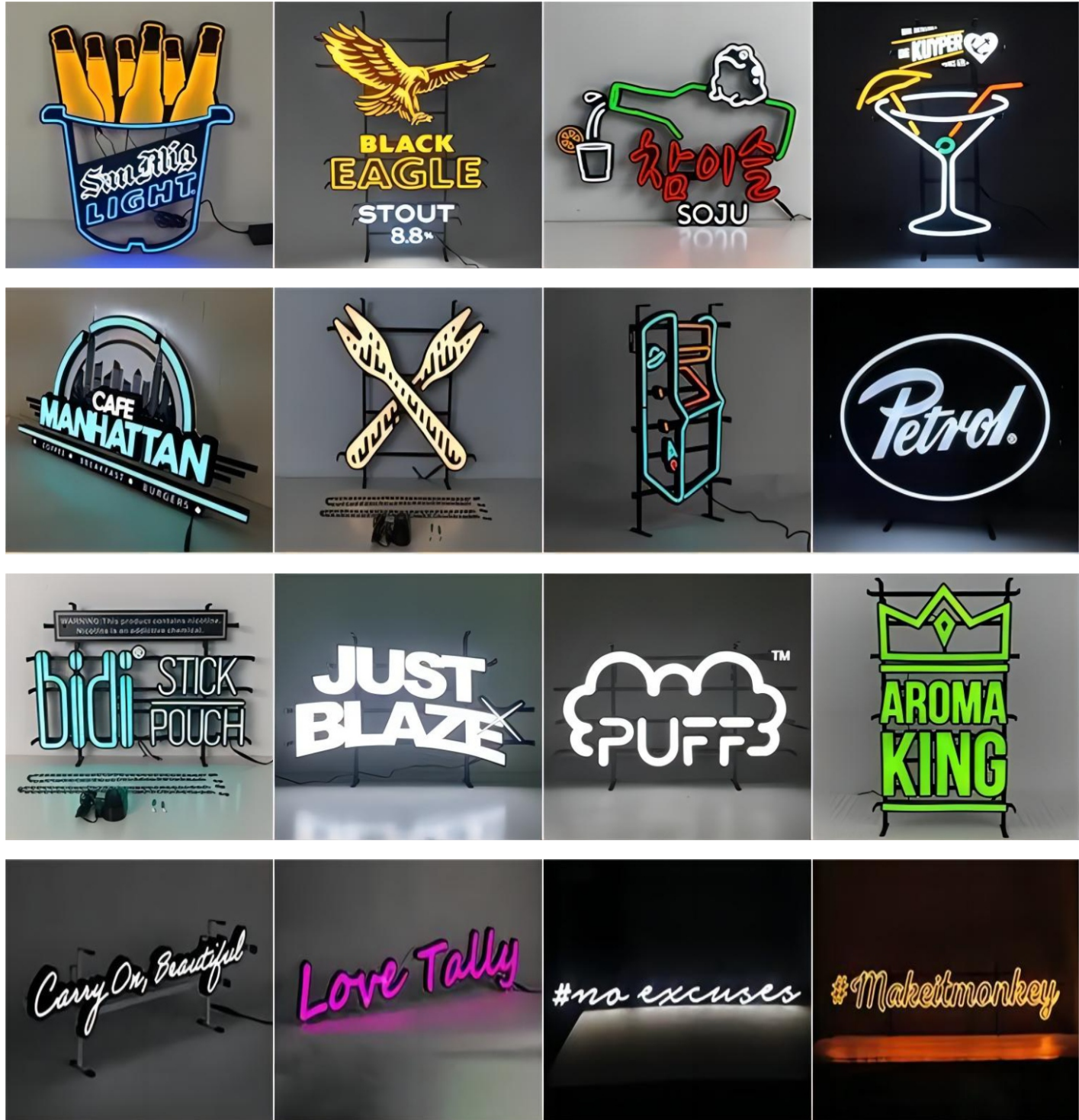
CNC CUTTING



LASER CUTTING

LOOK WHAT WE CAN DO FOR YOU

SOME OF OUR WORKS



180° DOME FRONT-LIT

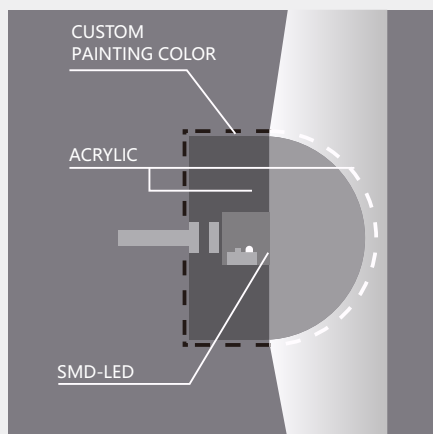


INDOOR/OUTDOOR USE

PRODUCT FEATURES

MATERIAL	ACRYLIC
LED COLOR	
CONTROLLER	REFER TO COLOR SYSTEM PANTONE® RAL
DIMMER	MATCHING
VOLTAGE	INPUT:100 ~ 305VAC OUTPUT: 12V

INTERNAL STRUCTURE



THICKNESS
22-35 mm

MINIMUM LINE
10,11,12,14,16,18,20,22 mm

TYPES OF BACK PLATE



Rectangular plate



Shape cut plate



No back plate
(Stick to the wall)



Rectangular plate
(Stand)

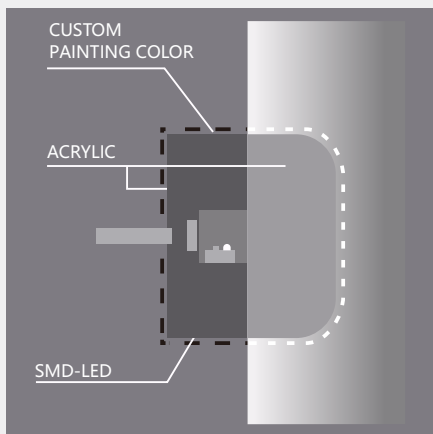
180° FLAT ROOF FRONT-LIT



PRODUCT FEATURES

MATERIAL	ACRYLIC
LED COLOR	
CONTROLLER	REFER TO COLOR SYSTEM PANTONE® RAL
DIMMER	MATCHING
VOLTAGE	INPUT:100 ~ 305VAC OUTPUT: 12V

INTERNAL STRUCTURE



THICKNESS 22-35 mm **MINIMUM LINE** 10,11,12,14,16,18,20,22 mm

TYPES OF BACK PLATE



Rectangular plate



Shape cut plate



No back plate
(Stick to the wall)



Rectangular plate
(Stand)

320° DOME FRONT-LIT

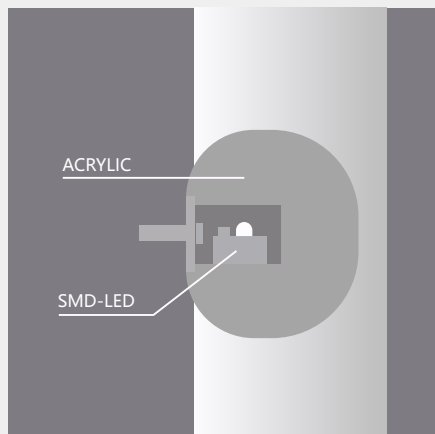


INDOOR/OUTDOOR USE

PRODUCT FEATURES

MATERIAL	ACRYLIC
LED COLOR	
CONTROLLER	REFER TO COLOR SYSTEM PANTONE® RAL
DIMMER	MATCHING
VOLTAGE	INPUT: 100 ~ 305VAC OUTPUT: 12V

INTERNAL STRUCTURE



THICKNESS
22-35 mm

MINIMUM LINE
20,25,30 mm

TYPES OF BACK PLATE



Rectangular plate



Shape cut plate



No back plate
(Stick to the wall)



Rectangular plate
(Stand)

180° DOME BACK-LIT

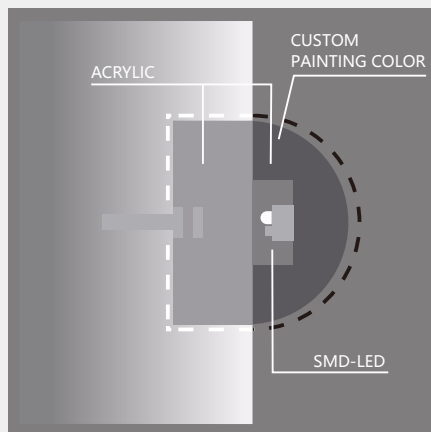


INDOOR/OUTDOOR USE

PRODUCT FEATURES

MATERIAL	ACRYLIC
LED COLOR	
CONTROLLER	REFER TO COLOR SYSTEM PANTONE® RAL
DIMMER	MATCHING
VOLTAGE	INPUT:100 ~ 305VAC OUTPUT: 12V

INTERNAL STRUCTURE



THICKNESS 22-35 mm **MINIMUM LINE** 12,14,16,18,20,22 mm

TYPES OF BACK PLATE



Rectangular plate



Shape cut plate

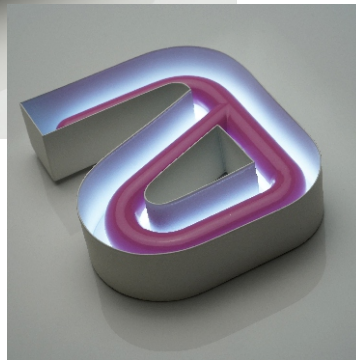
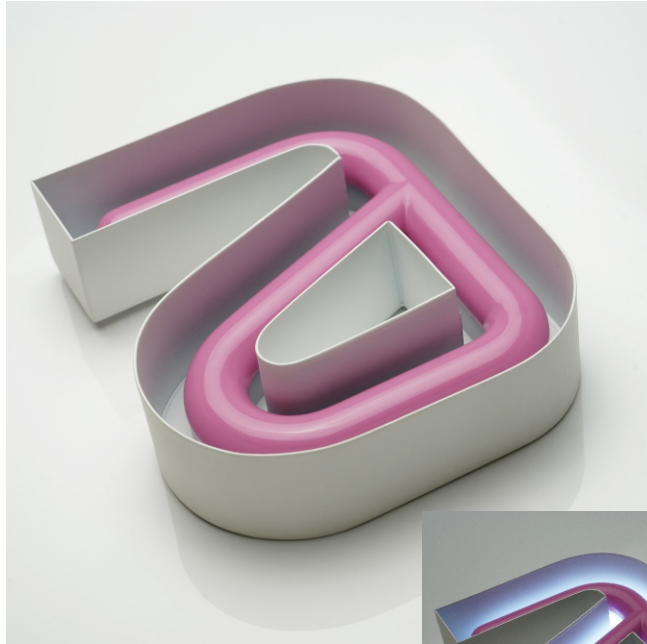


No back plate
(Stick to the wall)



Rectangular plate
(Stand)

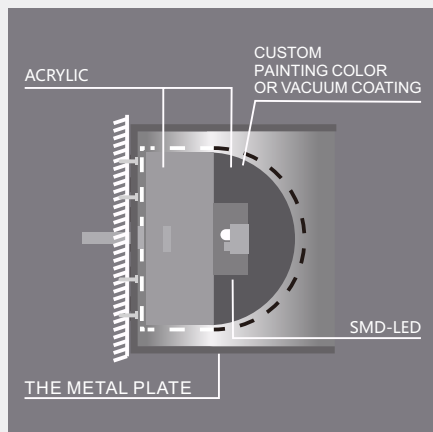
180° DOME BACK-LIT



PRODUCT FEATURES

MATERIAL	ACRYLIC NEON + METAL
LED COLOR	
CONTROLLER	REFER TO COLOR SYSTEM PANTONE® RAL
DIMMER	MATCHING
VOLTAGE	INPUT:100 ~ 305VAC OUTPUT: 12V

INTERNAL STRUCTURE



TYPES OF BACK PLATE

erybaysign

No back plate
(Stick to the wall)

erybaysign

Shape cut plate

THICKNESS 22-35 mm **MINIMUM LINE** 12,14,16, 18,20, 22 mm

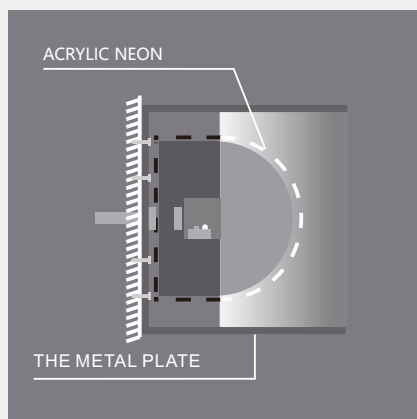
180° DOME FRONT-LIT



PRODUCT FEATURES

MATERIAL	ACRYLIC NEON + METAL
LED COLOR	
CONTROLLER	REFER TO COLOR SYSTEM PANTONE® RAL
DIMMER	MATCHING
VOLTAGE	INPUT: 100 ~ 305VAC OUTPUT: 12V

INTERNAL STRUCTURE



TYPES OF BACK PLATE

erybaysign

No back plate
(Stick to the wall)

erybaysign

Shape cut plate

THICKNESS 22-35 mm **MINIMUM LINE** 12,14,16,18,20,22 mm

erybay®

Anhui Erybay Sign Co., Ltd

www.erybaysign.com

andy@yiruipei.com

No. 19, Wenweng Road, Lu'an Economic and
Technological Development Zone, Anhui, China

erybay®